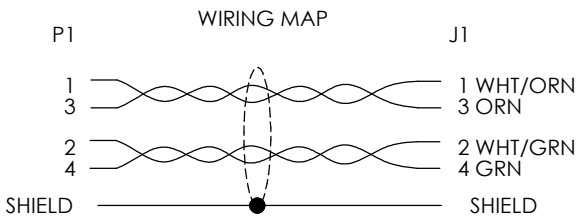
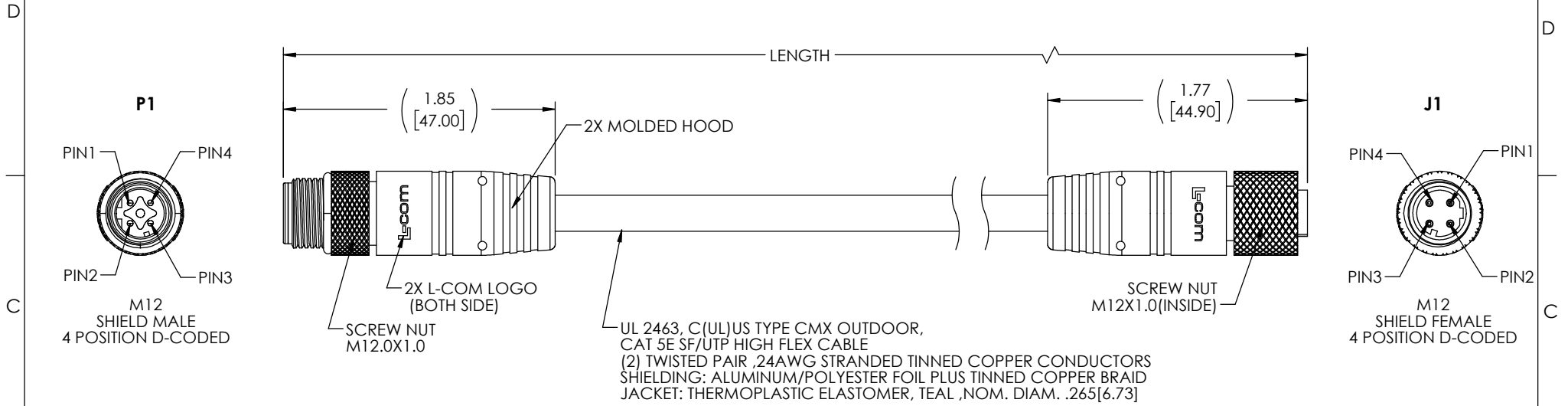


THE INFORMATION CONTAINED IN THIS DRAWING IS THE SOLE PROPERTY OF L-COM, INC. ANY REPRODUCTION IN PART OR WHOLE WITHOUT THE WRITTEN PERMISSION OF L-COM, INC. IS PROHIBITED.

| REVISIONS | | | |
|-----------|--|----------|------------|
| REV | DESCRIPTION | DATE | APPROVED |
| A | INITIAL RELEASE | 5/16/16 | D.GRIFFIN |
| B | ECN 11467: ADD 15M LENGTH TO TABLE AND FLEX LIFE TO ENVIRONMENTAL NOTE | 10/28/21 | GUITADAURO |
| | | | |
| | | | |



| PART NUMBER | LENGTH | |
|----------------|--------|--------|
| | FEET | METERS |
| TRG502-T4T-05M | 1.64 | 0.5 |
| TRG502-T4T-1M | 3.28 | 1.0 |
| TRG502-T4T-2M | 6.56 | 2.0 |
| TRG502-T4T-3M | 9.84 | 3.0 |
| TRG502-T4T-5M | 16.41 | 5.0 |
| TRG502-T4T-10M | 32.82 | 10.0 |
| TRG502-T4T-15M | 49.22 | 15.0 |


NOTES
MATERIAL:
 MOLDED HOOD: THERMOPLASTIC POLYURETHANE, BLACK
 INSULATOR: NYLON, BLACK
 SHELL/SCREW NUT: BRASS, NICKEL PLATE
 CONTACTS: PHOSPHOR BRONZE, 15µ" MIN. GOLD PLATE

ELECTRICAL:
 NOMINAL VOLTAGE RATING: 250 VAC/VDC
 MAX CURRENT: 4A

APPLICATION:
 INGRESS PROTECTION RATING IS IP68 (MATED).

ENVIRONMENTAL:
 OPERATING TEMPERATURE RANGE: -40°C TO +80°C
 CABLE JACKET RESISTANCE: OIL, SUNLIGHT, AND WELD SPLATTER RESISTANT
 CABLE FLEX LIFE: 1 MILLION CYCLE TEST (10X CABLE OD)
 10 MILLION CYCLE TEST (20X CABLE OD)

MISCELLANEOUS
 CABLE ASSEMBLIES TO BE TESTED FOR CONTINUITY
 CABLE ASSEMBLY SHALL BE INDIVIDUALLY PACKAGED IN ACCORDANCE WITH L-COM SPECIFICATION PS-0031.

| | | | | |
|--|--|----------------------------|--|---|
| UNLESS OTHERWISE SPECIFIED, DIMENSIONS ARE IN INCHES [mm] OVERALL CABLE LENGTH TOLERANCE: ≤12 [305] = +1 [25] / -0 >12 [305] ≤60 [1524] = +2 [51] / -0 >60 [1524] ≤120 [3048] = +4 [102] / -0 >120 [3048] ≤300 [7620] = +6 [152] / -0 >300 [7620] = +5% / -0 ALL OTHER DIMENSIONAL TOLERANCES: .X = ± .2 [5] FRACTIONS ± 1/32 .XX = ± .02 [5] ANGLES ± 1° .XXX = ± .005 [13] | APPROVALS | DATE |  50 High Street, West Mill, North Andover, MA 01845 USA. Phone: 1.800.341.5266 1.978.682.6936 | |
| | DRAWN BY DCUI | 01/05/16 | | CATEGORY TELECOM/MODULAR PRODUCT DESCRIPTION C5E M12D M/F TPE 24 TEL |
| | CHECKED BY D.DESJARDIN | 03/10/16 | | |
| | APPROVED BY GUITADAURO | 03/10/16 | | |
| THIRD-ANGLE PROJECTION | CONFIGURATION DETAILS OF UNDIMENSIONED FEATURES MAY VARY | COLOR VARIATIONS MAY OCCUR | SIZE A CAGE CODE 43321 DWG. NO. TRG502-T4T REV. B SCALE: NONE CAD FILE: TRG502-T4T.SLDDRW SHEET 1 OF 1 | |